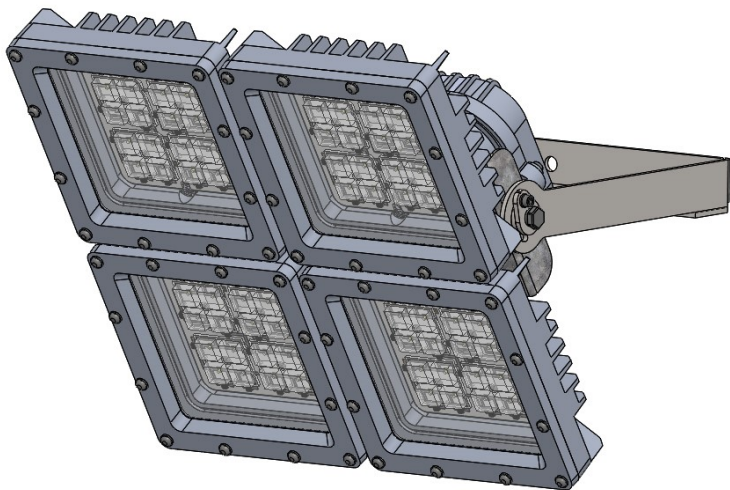
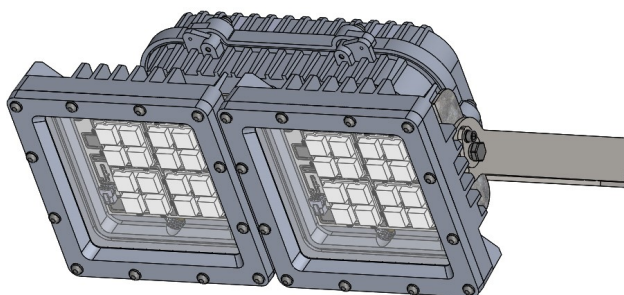


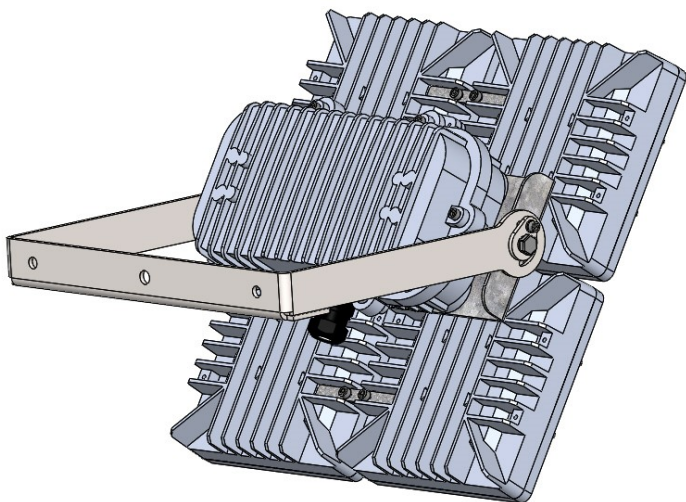
MODULITE - ZONE1 110/220W LED LIGHT



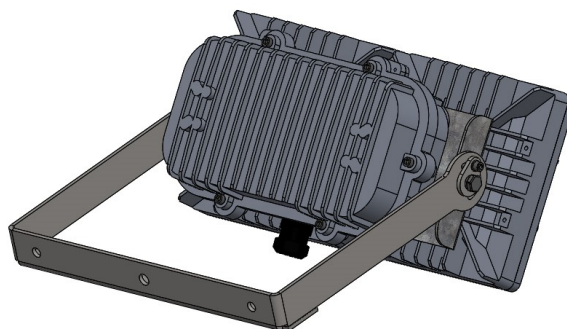
220W FLOOD MOUNT- FRONT VIEW



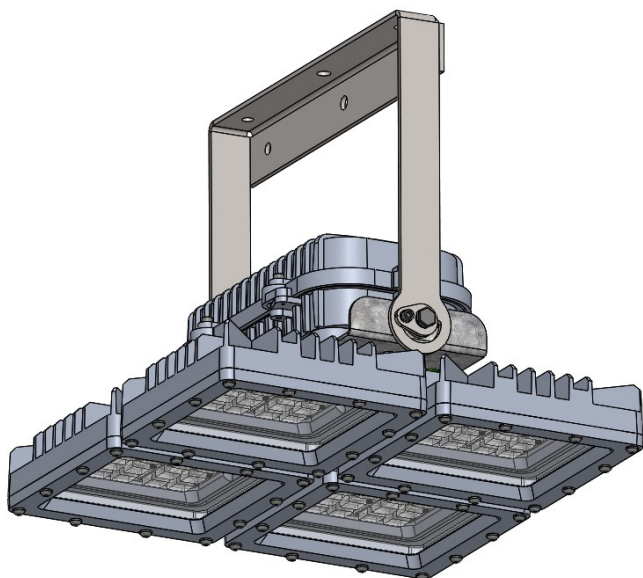
110W FLOOD MOUNT- FRONT VIEW



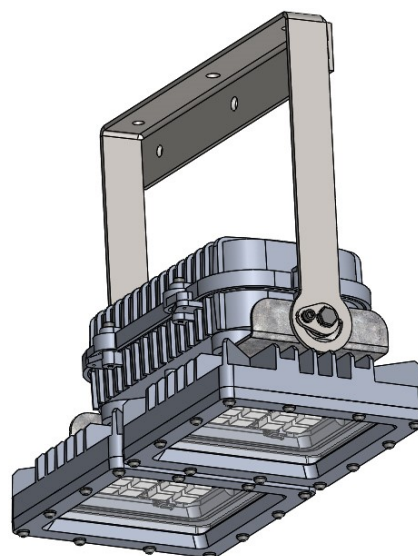
220W FLOOD MOUNT- BACK VIEW



110W FLOOD MOUNT- BACK VIEW



220W HIGHBAY MOUNT



110W HIGHBAY MOUNT



APPLICATION

The Modulite is a LED floodlight or highbay used for general lighting in internal or external Zone 1, 2, 21 and 22 areas.

CONSTRUCTION

The light consists of an number of individual 55W, 16 LED modular Head Piece attached to each other to create the final light Head Piece. Currently a 2 and 4 module light is available however, other configurations are available on request. Each led has a redundancy bypass Zener diodes allowing the light to continue operating if the led fails.

The modular Head Piece's have 12 mm tempered glass covers which are sealed off with resin and clamped onto the housings by means of Retaining Rings.

Optical lenses mounted over the leds allow for various optical beam spreads. The standard lenses create a 63 degree symmetrical beam.

The array of modular Head Pieces are attached to a single Control Box Body which houses the Meanwell electronic driver, surge arrestor and electrical connector blocks. A single M20 cable entry is provided.

A Lid with silicone seal, closes off the Control Box Body. To prevent items falling to the ground at time of installation the 6 Lid mounting screws are captive and retaining hinge cables attaches the Lid to the Control Box Body.

Both the head piece and control box are LM4 cast aluminium and powder coated hammer tone grey. The mounting bracket allows for flood or highbay installations.

ELECTRICAL SPECIFICATIONS

Input voltage is 100 to 240VAC.

The LED's are driven at 1050mA.

2 x LED headpiece: 110W maximum system power.

4 x LED headpieces: 220W maximum system power.

CERTIFICATION

Ex d e IIB + H² T6 Gb Ex tb IIIC T85° Dc IP65

PHOTOMETRIC DATA

An array of 16 LED's per headpiece is included with various optics allowing for different light distributions. The standard optics is a 63⁰ symmetrical beam.

Photometric report and IES files available on request.

ORDER INFORMATION

P/N: AMMOD-200-63 220W, 63⁰ Light output is 23847 lm.

P/N: AMMOD-100-63 110W, 63⁰ Light output is 11924 lm.

PLEASE NOTE:

DUE TO TECHNICAL VARIANCES AND CHANGING TECHNOLOGY DETAILS ARE SUBJECT TO CHANGE WITHOUT PRIOR NOTICE

