

SATURN - LED LIGHT DATA SHEET

REVISION:2024-01-13

TYPE

LED FloodLight and Highbay.

APPLICATION

General Industrial, Zone 2 and 21/22 hazardous areas.

CONSTRUCTION

- Aluminium die cast housing.
- Tempered front glass with complete surrounding stainless steel clamp plate.

LAMP TYPE

- 64 Osram Oslon Square LED's with bypass redundancy Zerner Diodes.
- Colour 5000K. (4000k or 6000K available on requested)
- 64 Degree symmetrical beam. (Other optics available on request)

MOUNTING

- Floodlight swivel stirrup bracket with secondary lock screws.
- Highbay hanging or roof mount bracket.
- (other mounting brackets available on request)

SPECIAL FEATURES

- The Ex version has dual LED drivers resulting in a 50% redundancy.
- Symmetrical weight balanced design assists installation and prevents the fitting from sagging over time.

ELECTRICAL SPECIFICATIONS

- Input voltage is 220-240VAC + - 10%, 50/60Hz.
- PFC > 0.96 Supply wattage: 210W.
- LED DRIVE: 93V @ 1050mA x 2 strings

CERTIFICATION

- Ex ec IIC T5 Gc Ex tb IIIC T86°C DB IP65
- IA No: MASC S/17-0249X

PHOTOMETRIC DATA

- Total flux: 24790 lm
- Photometric test report and IES files available on request.

ORDER INFORMATION

<u>PART NUMBER</u>	<u>DESCRIPTION</u>
AMSAT-200-FL63	Floodlight Stirrup Bracket, Ex, 63 sym. beam
AMSAT-200-FLS63	Floodlight Stirrup Bracket, IP65, 63 sym. beam
AMSAT-200-HB63	Highbay bracket, Ex, 63 sym. beam
AMSAT-200-HBS63	Highbay bracket, IP65, 63 sym. beam

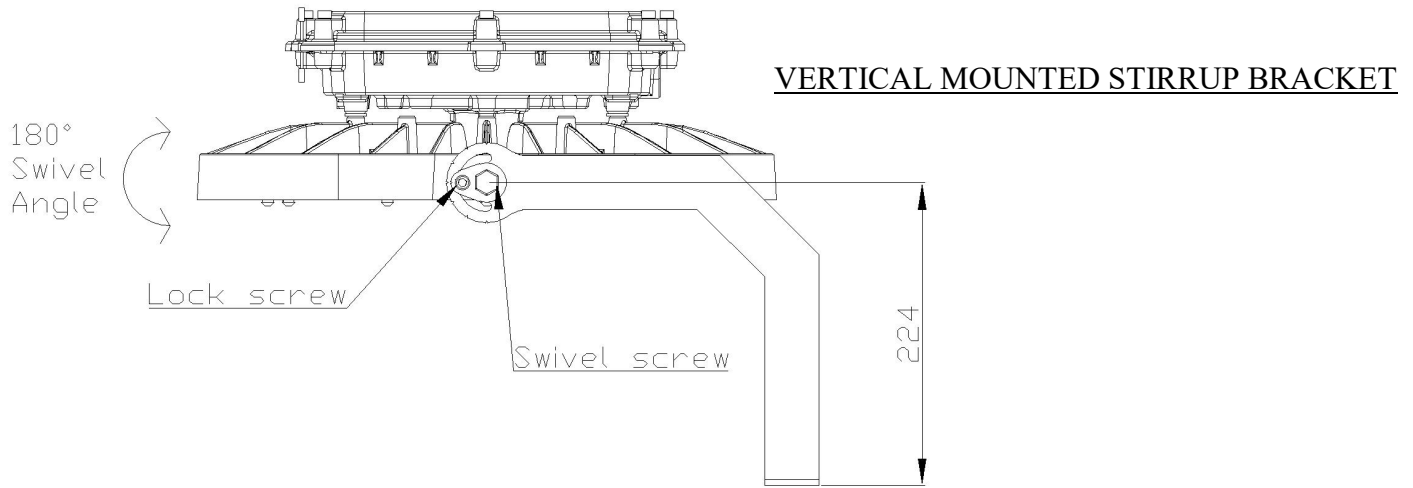


PLEASE NOTE:
DUE TO TECHNICAL VARIANCES AND CHANGING TECHNOLOGY DETAILS ARE
SUBJECT TO CHANGE WITHOUT PRIOR NOTICE

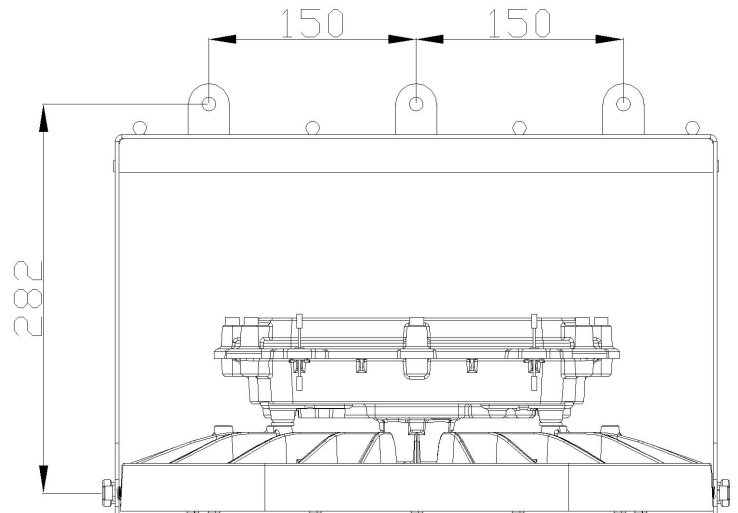
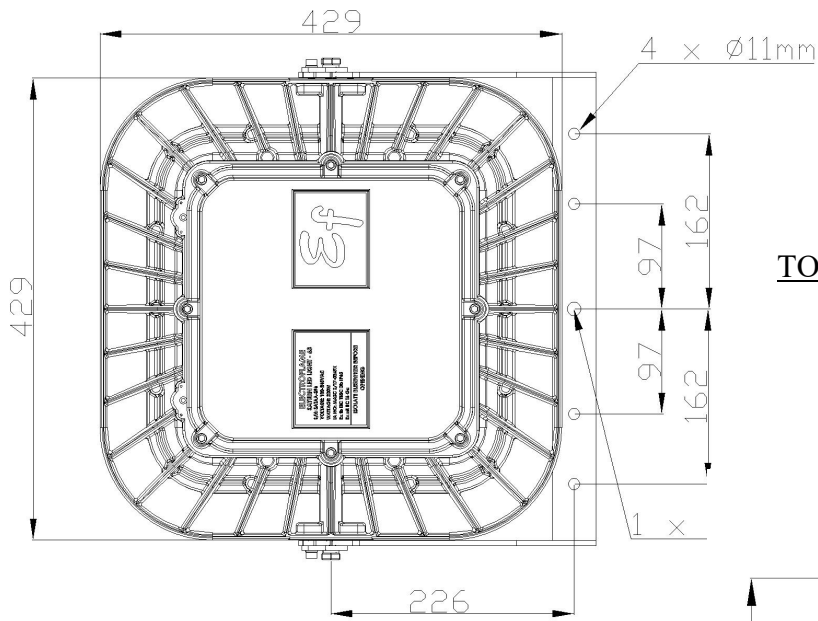
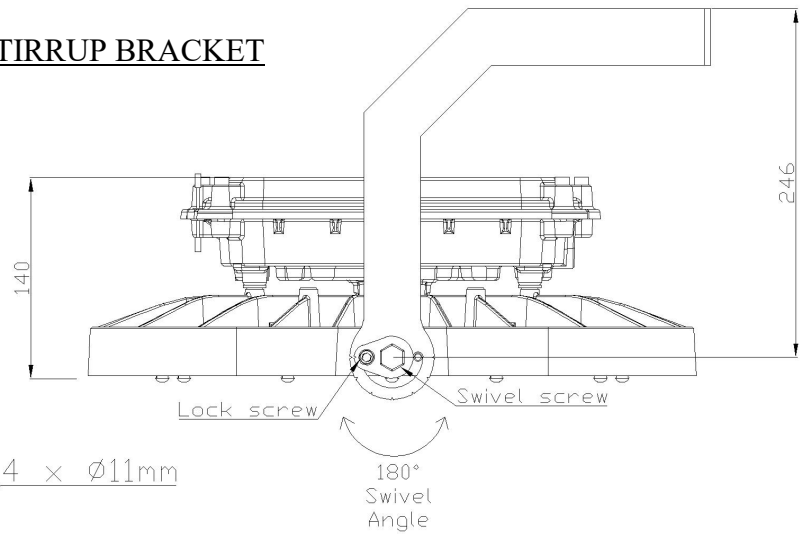
Electroflame (PTY) LTD
Design | Manufacture | Supply
Ex Equipment



DIMENSIONAL INFORMATION



HORIZONTAL MOUNTED STIRRUP BRACKET



WEIGHT

13.4 KG.