

EXE EXTENSION UNIT DATA SHEET

TYPE

Extension unit.

APPLICATION

Zone 1, 2 and 21/22 hazardous areas.

CONSTRUCTION

- Aluminium LM24 die cast housing.
- Mild steel frame with non-conductive plastic handle.

ELECTRICAL SOCKET AND PLUG TYPE

- 2, 3 or 4 CEAG Exe sockets.
- CEAG supply plug.

SPECIAL FEATURES

- Pilot light for power indication.
- 20 Meter 2.5 mm Neoprene cable.
- Personalized housing colour can be arranged for ownership identification.

ELECTRICAL SPECIFICATIONS

- 230VAC. (Other voltage and socket configurations available on request)
- Maximum 16 A.

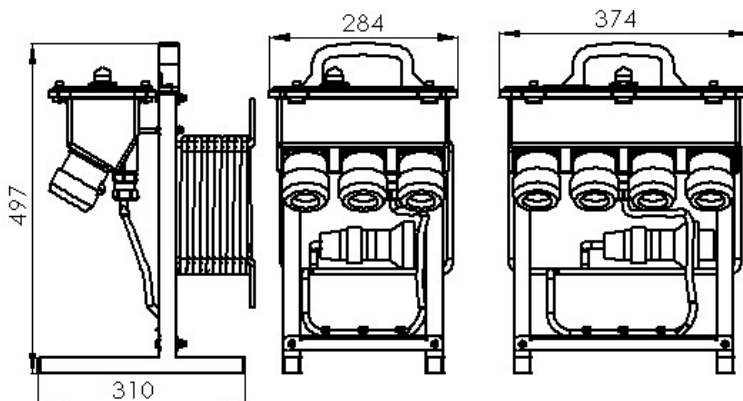
CERTIFICATION

- Ex de IIC T6 Gb
- Ex tb IIIC T85°C Db
- IA Number: MASC S/16-1582

ORDER INFORMATION

<u>PART NUMBER</u>	<u>DESCRIPTION</u>	<u>MATERIAL NUMBER</u>
AMEBX-211	2 WAY	
AMEBX-311	3 WAY	
AMEBX-411	4 WAY	

DIMENSIONS



PLEASE NOTE:
DUE TO TECHNICAL VARIANCES AND CHANGING TECHNOLOGY DETAILS ARE
SUBJECT TO CHANGE WITHOUT PRIOR NOTICE

Electroflame (PTY) LTD
Design | Manufacture | Supply
Ex Equipment

