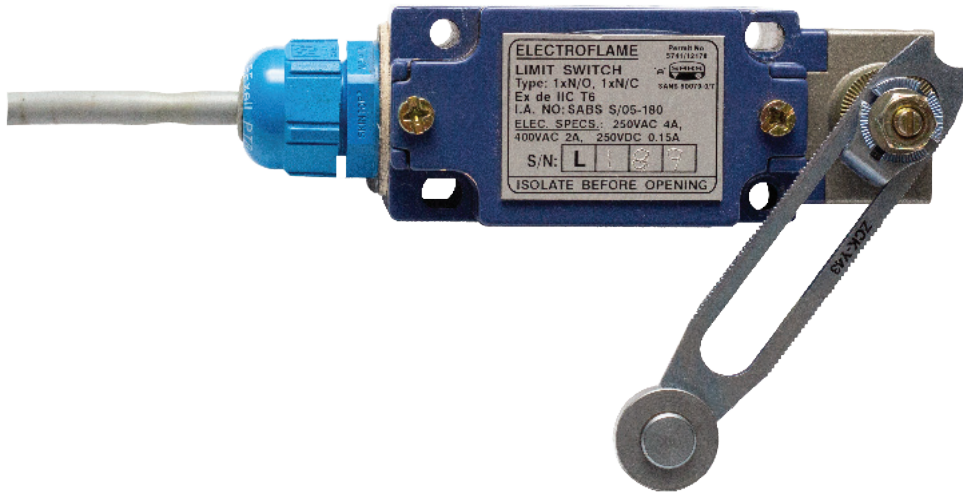




**Electroflame** (PTY) LTD

Design | Manufacture | Supply  
Ex Equipment



Surface

## Limit Switch

### Application

The Limit Switch is suitable for surface Zone 1, 2, 21 and 22 areas.

### Construction

The unit consists of a housing, head piece and activation lever. Attached to the main housing is an Exe plastic gland and a 5 meter braided cable.

Inside the housing is an Exd limit switch. The limit switch has one normally open and one normally closed contact.

The unit makes use of the Telemecanique range of heads and levers.

The adjustable roller (Y43) and fixed roller levers (Y13) are two standard units generally kept in stock.

Other heads/lever can be supplied on request.

## Certification

- Ex d IIC T6 Gb
- Ex tb IIIC T85°C Db

IA Number: MASC S/17-1100X

## Electrical Specification

- 250VAC 5A
- 400VAC 2A
- 250VDC 0.5A

## Order Information

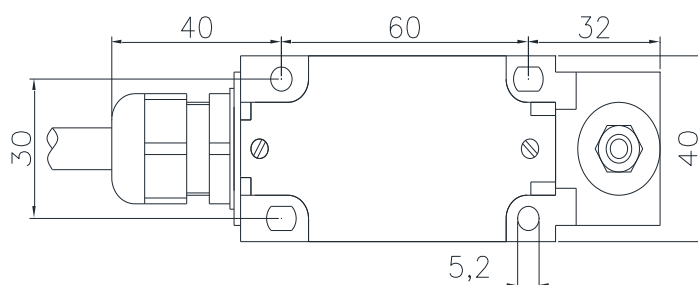
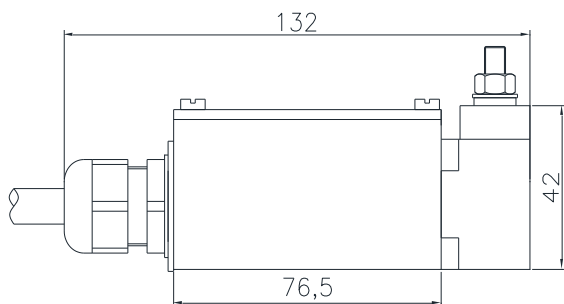
### Lever / Head

- ZKC-E05 Head with ZCK-Y43 adjustable lever
- ZCK-E619 Shaft head
- ZKC-E05 Head with ZCK-Y13 roller lever
- ZCK-E66 Roller ball shaft head
- ZCK-E06 Cat whisker head
- ZCK-E23 Roller lever plunger head
- ZCK-E62 Plunger with wheel head
- ZCK-E61 Head
- ZCK-E08 Spring rod lever head

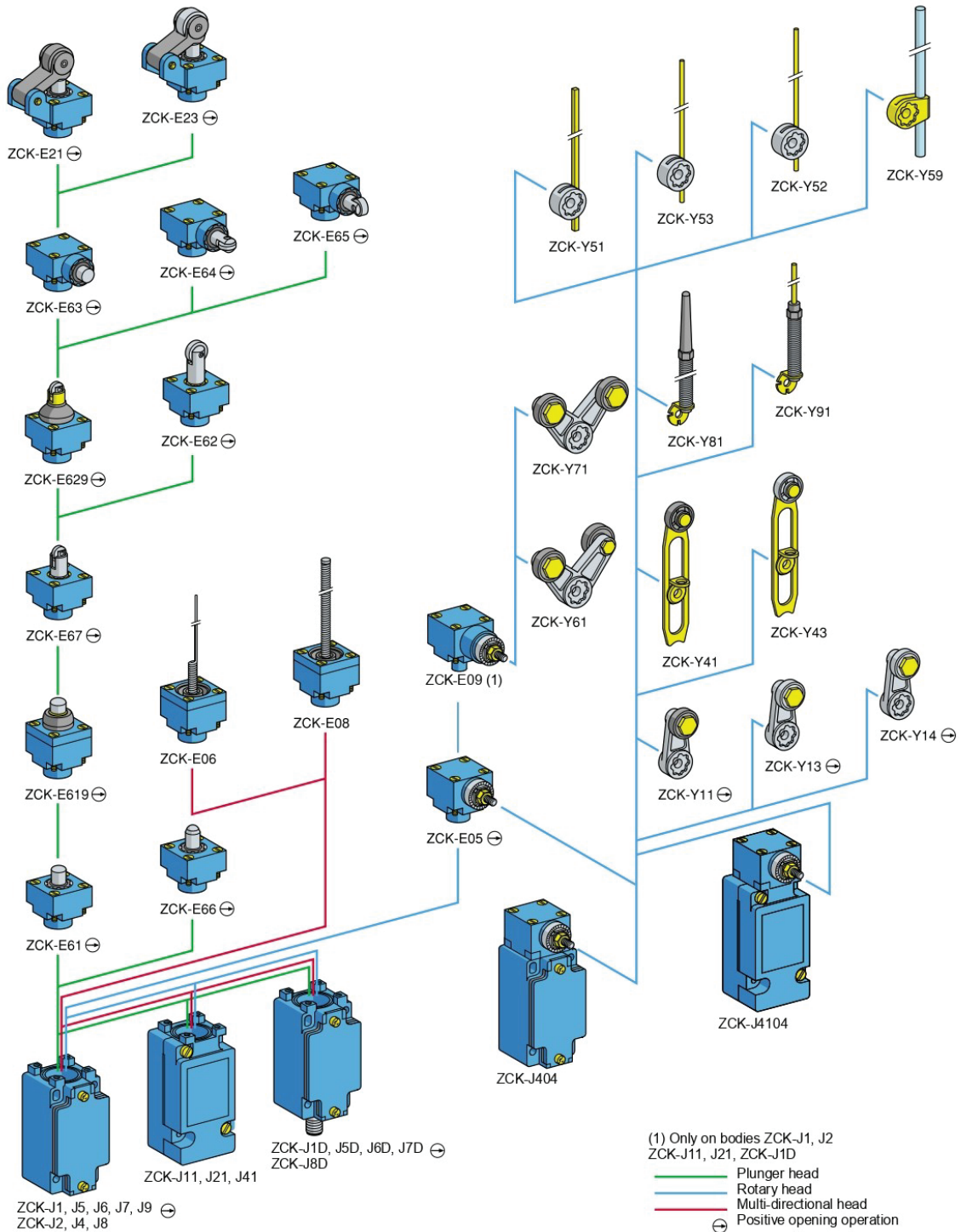
### Part Number

AMLSW-001  
AMLSW-002  
AMLSW-003  
AMLSW-004  
AMLSW-005  
AMLSW-006  
AMLSW-007  
AMLSW-008  
AMLSW-010

## Drawings



# Heads & Levers Available



2402\_Ver5.00-EN.fm/2

Telmeccanica

Schneider Electric

Electroflame uses the ZCK-J1 body